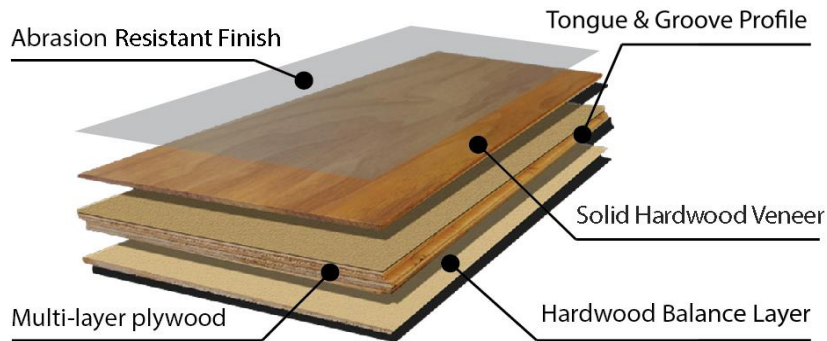


Features

The highly active molecular stain penetrates the veneer, adding multi-layered color tones and enhancing the wood flooring's natural beauty.
 This collection is featured on the popular HGTV show, Love It or List It!
 Finished with 7 to 9 coats of UV cured aluminum oxide, making it the perfect flooring that's wear, scratch, and stain resistant.
 Competitive residential and commercial warranty.
 Can be installed over hydronic radiant heating system. Conditions apply.



Product Information

Product Line	Crafter Signature Engineered Hardwood Flooring
Construction	Tongue and Groove
Wood Species	White Oak and Hickory
Dimensions	White Oak: 1/2" x 5" x 48" R.L. Hickory: 1/2" x 5" x 47-1/4" R.L.
The Look	Handscraped and/or Wirebrushed
Veneer and Finish	8 coats UV cured Traffert® polyurethane finish with Aluminum Oxide
Sawn method	All are sliced sawn
Warranty	35 years residential and 5 years commercial warranty
Installation	Please refer to Installation Instruction, Care and Maintenance Guide

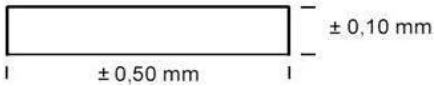
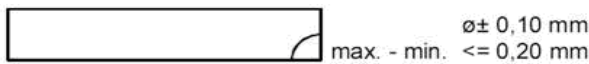
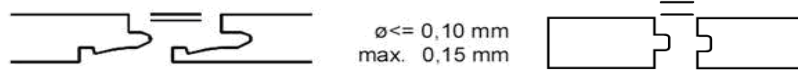

Essential Characteristics

Characteristics	Test Method	Requirement	Our products test result
Reaction to fire	EN13501-1	National requirement	Class C fl-s1
Content of pentachlorophenol	CEN/TR 14823	No content allowed	No content
Slip resistance	EN 13893	Class DS: $\mu \geq 0.30$	DS
Formaldehyde Emission	EN 717-1	≤ 0.5 mg/L	Pass

Classification Requirements

Characteristic	Test Method	Valuation
Effect of a furniture leg	EN 424	We recommend the use of protective mats
Effect of castor chair	EN 425	We recommend using felt pads under all furniture legs
Chemical resistance	EN 13442	Category 5
Bond strength/gross cut test	ISO 2409	Category 0
Moisture content	EN 13489	6-9%

Tolerance

Thickness Variance	≤0.5mm
Openings between join panels	≤0.15mm
Dimension Tolerance Length & Width (mm)	
Squareness (mm)	
Height Variation (mm)	
Edge Straightness (mm)	
Flatness	Width Flatness, concave<0.15%, convex<0.20% Length Flatness, concave<0.50%, convex<1.0%

Packaging Information (White oak)

	Length (mm)	Width (mm)	Thickness (mm)	Sq. ft. per carton	Weight lb/box
Plank	1210	127	12		
Carton	1835	270	82	29.8	48.5

Packaging Information (Hickory)

	Length (mm)	Width (mm)	Thickness (mm)	Sq. ft. per Carton	Weight (lb. per
Plank	1200	127	12		
Carton	1220	265	100	26.3	42

Pallet information (White oak)

	Length (mm)	Width (mm)	Height (mm)	Volume (m³)	# of carton per Pallet	Sq. ft. /pallet	Weight (lb.)
Pallet	1835	1080	1014	2.01	48	1430	2328

Pallet information (Hickory)

	Length (mm)	Width (mm)	Height (mm)	Volume (m³)	# of carton per Pallet	Sq. ft. /pallet	Weight (lb.)
Pallet	1200	1060	1250	1.59	36	947	1512